

KITZ Group launches Ball Valves in India



- High Performance Ball Valves
- Investment Casting (Size range : ½” to 8” Inch)
 - Antistatic and Blow out proof stem
- Fire safe design as per AP16FA / API 607
 - Low Operating Torque
- Ease in manual to auto conversion

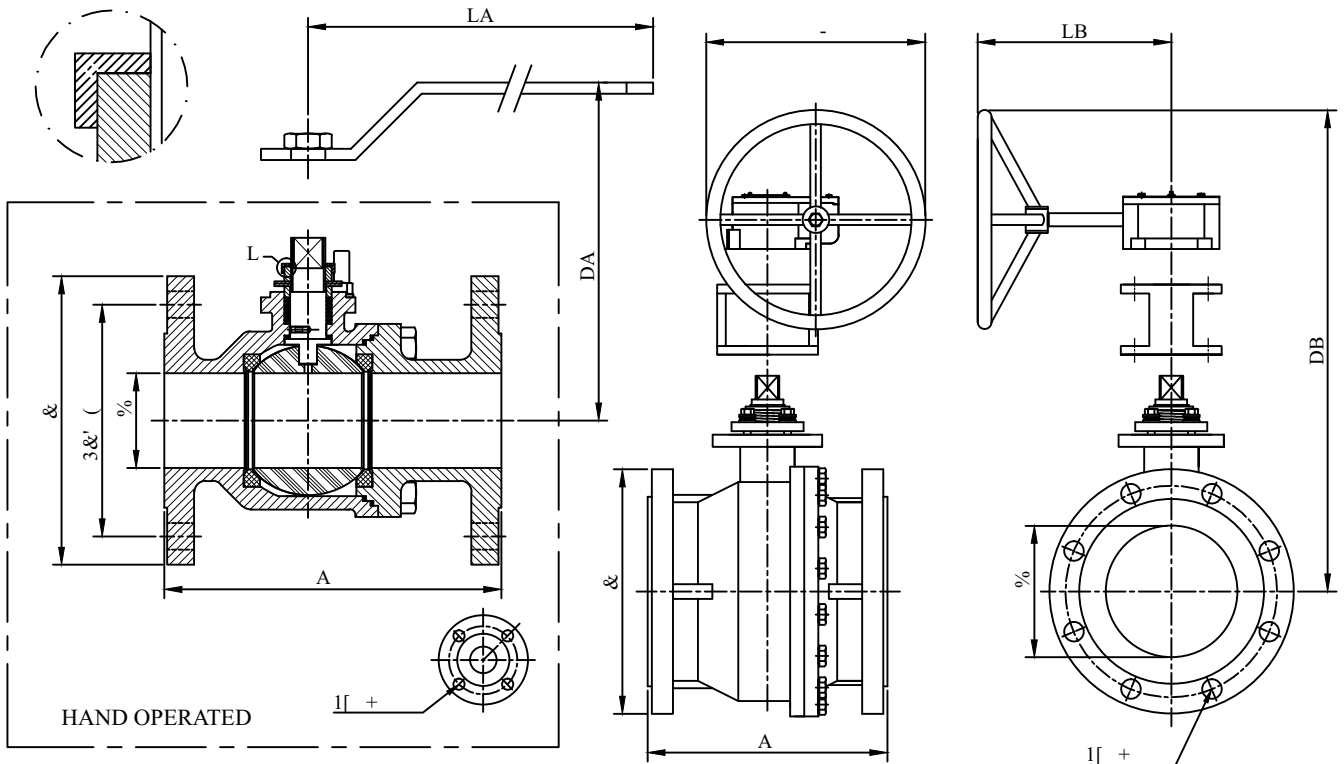
Standards

- Designed as per API 6D, BS EN ISO17292 and ASME B 16.34
- Pressure Testing as per API 6D, EN12266-1
- Fire Test as per API 6FA, API 607
- Face to Face as per ASME B 16.10 and API 6D

Features

- Split body, floating ball valve
- ASME Class 150 in CF8M
- Flanged connections, Full bore, solid ball
- Various seat options – PTFE, CFT, GFT, GLFT, TFM 1600
- ISO 5211 Actuator Mounting
- One Million Cycle Tested by PDIL
- CE, SIL-3, IBR Certified
- Flow Tested by FCRI (Palakkad)

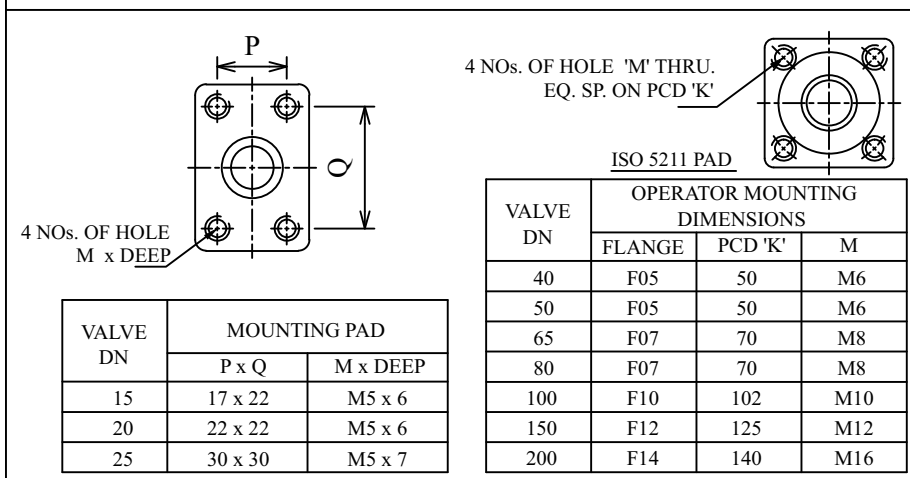
DETAIL L



**MATERIAL OF CONSTRUCTION- CF8M / SS316
CLASS - 150#, FULL BORE**

VALVE DN	'A'	%	&	'DA'	'DB'	P.C.D. 'E'	HOLE +	'N' NOS.	'LA'	'LB'	-	WEIGHT APPROX, Kg
15	108	13	90	65	-	60.5	15.8	4	150	-	-	1.5
20	117	19	100	65	-	69.8	15.8	4	150	-	-	1.9
25	127	25	110	80	-	79.4	15.8	4	180	-	-	2.7
40	165	38	125	95	-	98.5	15.8	4	250	-	-	5.4
50	178	50	150	125	-	120.7	19	4	250	-	-	8.6
65	191	63.5	180	160	-	139.7	19	4	350	-	-	12
80	203	76.5	190	170	-	152.4	19	4	350	-	-	15.5
100	229	100.5	230	200	-	190.5	19	8	450	-	-	29
150	267	150.5	280	-	465	241.3	22.2	8	-	215	250	60
200	292	201.5	345	-	625	298.5	22.2	8	-	330	450	112

OPERATOR MOUNTING DETAILS



VALVE TORQUE

DN	BREAKAWAY TORQUE, Nm
15	2.5
20	3.6
25	10.0
40	20.0
50	27.0
65	49.0
80	80.0
100	140.0
150	285.0
200	580.0



Micro Pneumatics Pvt. Ltd.

Plot 133 - 134, Vasai Municipal Industrial Area,
Umela Phata, Papdy, Vasai Road (W) - 401 207.
Dist: Palghar, Maharashtra, India.
E-mail: micropneumatics@vsnl.net

Distributed by: